

PARTS & INSTALLATION INSTRUCTIONS MEYER SNOW PLOW MOUNTING 1994 CHEVROLET AND GMC S-SERIES 4 X 4 VEHICLE with ZM6 OFF ROAD PACKAGE

IMPORTANT NOTICE

End user must be given this instruction sheet prior to delivery of this Snow Plow.

The equipment you have just purchased should only be used on vehicles equipped with the Manufacturer's Snow Plow Preparation Packages. Snow Plowing without the original Snow Plow Preparation Package may damage your vehicle and the added weight to the equipment may impair the operation and control of the vehicle. Snow Plowing with a vehicle that the manufacturer does not recommend for that purpose may void your new vehicle warranty. If your vehicle is not originally equipped with the Snow Plow Package, additional parts may be necessary before snow plowing. Owners of these vehicles should consult their dealers before purchase or installation of such parts.

CAUTION: the installation, on any vehicle, of these parts is not a full substitute for the original equipment Snow Plow Preparation Package.

Warning: Lift Arm extends beyond bumper of vehicle. To minimize damage from a front-end collision, Lift Arm should be removed from vehicle when Snow Plow is removed.

PARTS LIST

| ITEM | PART NO. | QTY. | DESCRIPTION |
|------|----------|------|-----------------------------------|
| | 18078 | 1 | MOUNTING CARTON |
| 1 | 11510 | 1 | • Clevis Frame |
| 2 | 11506 | 1 | • R.H. Mounting Angle |
| 3 | 11507 | 1 | • L.H. Mounting Angle |
| 4 | 10514 | 1 | • Lift Arm |
| 5 | 11462 | 2 | • Tube cap |
| N/S | 12978 | 2 | • Trip Springs |
| N/S | 12984 | 1 | • Pivot Bar |
| N/S | 13594 | 1 | • A-Frame |
| | 08666 | 1 | • HARDWARE BAG |
| 6 | 11006 | 2 | •• Hinge Pin |
| 7 | 10843 | 1 | •• Support Pipe |
| 8 | 10844 | 1 | •• Plate, Washer |
| 9 | 20095 | 4 | •• Bolt H 1/2 - 13 x 1 1/2" Gr. 5 |
| 10 | 20107 | 1 | •• Bolt H 1/2 - 13 x 5" Gr. 5 |
| 11 | 20144 | 1 | •• Bolt H 5/8 - 11 x 2 3/4" Gr. 5 |
| 12 | 20146 | 2 | •• Bolt H 5/8 - 11 x 3 1/4" Gr. 5 |
| 13 | 20307 | 5 | •• Locknut 1/2-13 |
| 14 | 20309 | 3 | •• Locknut 5/8 - 11 |
| 15 | 20354 | 8 | •• Flatwasher, 7/16 |
| 16 | 21976 | 2 | •• Battery Connector |
| 17 | 21984 | 2 | •• Hair Pin Cotter |
| 18 | 22139 | 8 | •• Bolt H M10 x 1 .25P x 40 mm |
| 19 | 11275 | 1 | LIFT FRAME (Tubular) |

Parts indented are included in the carton, bag or assembly under which they are indented.

Meyer Products reserves the right, under its continuing product improvement program, to change construction or design details, specifications and prices without notice or without incurring any obligation.

GENERAL INFORMATION

CAUTION: Always disconnect battery before beginning installation.

DO NOT BURN holes or **WELD** vehicle frame. This may cause frame failure.

After first use, retighten all mounting bolt connections to specified torque. All mounting bolt connections to be checked periodically for tightness.

Locknuts are furnished **DO NOT** tighten bolts and nuts until installation is complete (unless otherwise specified), then be sure to tighten all attaching parts per specified torque chart.

NOTE: It is important that the Meyer harness, all wires from the Meyer light switch, and all other electrical wires be routed around hot or moving engine parts, and any sharp metal. Protection must be provided to guard against wire damage at these points. All excess or loose wires must be neatly secured using wire ties.




Check contents against the parts list to determine all are correct and included, and also to familiarize yourself with them.

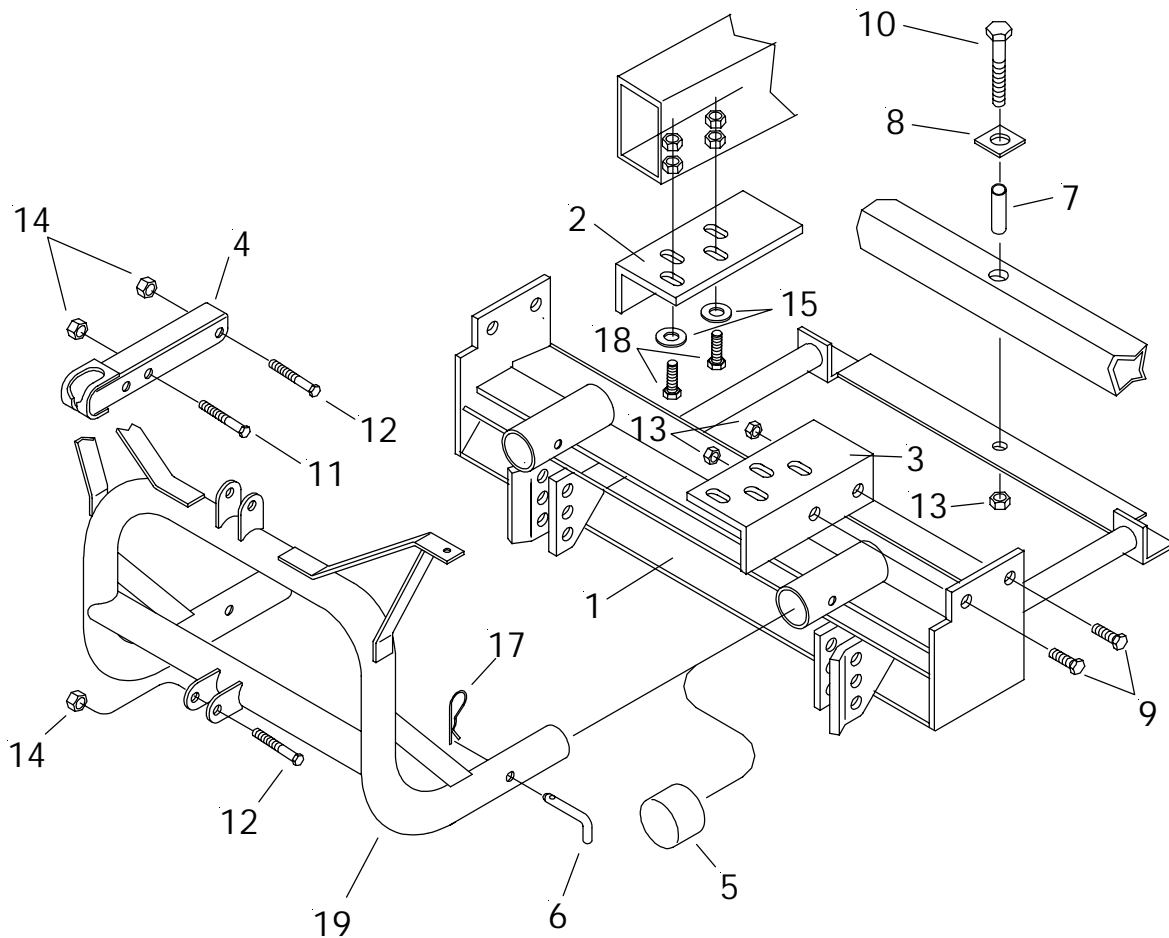
SAFETY PRECAUTIONS should be used when **Hydraulic Unit is in OPERATION** and plow is in a **RAISED** position. **Lower plow to ground when vehicle is PARKED.**

OVERHAUL and **SERVICE INFORMATION** are covered on separate instructions.

Follow these instructions explicitly. Warranty does not apply to a Meyer product which has been negligently or improperly assembled or installed.

TORQUE CHART FOOT LBS.

| Bolt Nut Size | Gr. 2  | Gr. 5  | Gr. 8  |
|---------------|---|---|---|
| 1/4 - 20 | 4 - 5 | | |
| 5/16 - 18 | 9 - 11 | | |
| 3/8 - 16 | 17 - 20 | | |
| 7/16 - 14 | | 26 - 29 | |
| 1/2 - 13 | | 42 - 46 | 60 - 66 |
| 5/8 - 11 | | 127 - 141 | 179 - 198 |
| 3/4 - 10 | | 227 - 251 | |



INSTALLATION INSTRUCTIONS

- A. Remove bolts from front Shield and Towhook. Retain all hardware. They will not be reinstalled.
- B. Rework front Shield as follows:
1. Drill 3/4" diameter hole to align with hole in vehicle crossmember.
 2. Notch back corners as shown in Figure 1.
- C. After notching shield, attach Mounting Angles (2-3), front shield and Tow Hooks to the bottom of the vehicle frame using M-10 x 1.25 x 40 MM (18), Flatwasher (15).
- D. Attach Shield and Clevis Frame (1) to vehicle crossmember with Shield flat against crossmember. Install Support Pipe (7) top of vehicle crossmember. Put Plate Washer (11) over same hole and insert 1/2 - 13 x 5" bolt (10) through all these pieces and back hole of Clevis Frame. Secure with 1/2 - 13 Locknut (13).
- E. Attach Clevis Frame (1) to Mounting Angles (2-3) using 1/2 - 13 x 1 1/2" bolt (9) and Locknut (13).

Note: Before tightening the fasteners, the Clevis Frame should be pushed back as far as possible under vehicle.

- G. Install Lift Frame (19) into the tubes on Clevis Frame (1) using Hinge Pins (6) and Hair Pin Cotter (17).

Note: Before installing Lift Frame Tubing to Clevis Frame, liberally coat ends of Lift Frame with chassis grease / anti-seize lubricant.

- H. Install lights making certain there is clearance behind the lights for opening the vehicle hood. Lights must be aimed to comply with Federal Regulations.
- I. Install plow light wiring per separate instructions.
- J. Attach Lift Arm (4) to Lift frame (19) using 5/8 - 11 x 3 1/4" bolt (12) and locknut (14). Attach Power-Unit to Lift Frame with 5/8 - 11 x 3 1/4" bolt (12) and locknut (14), and to Lift Arm (2) using 5/8 - 11 x 2 3/4" bolt (11) and locknut (14).
- K. Install Power-Unit wiring system per separate instructions.
- L. Install Moldboard Assembly per form 1-694.

Note: When lift frame module (19) is removed from the vehicle, the insides of the clevis frame (1) receiver tubes and outside ends of the lift frame (19) should be coated with chassis grease

