



PARTS & INSTALLATION INSTRUCTIONS E-Z MOUNT XPRESS™ MOUNTING 17148 2003 & Later Dodge 2500-3500

End user must be given this instruction sheet prior to delivery of this Snow Plow.

SAFETY DEFINITIONS

	This is the safety alert symbol. It is used to alert you to potential personal injury hazards. Obey all safety messages that follow this symbol to avoid possible injury or death.
	DANGER Indicates an imminently hazardous situation which, if not avoided, will result in death or serious injury.
	WARNING Indicates a potentially hazardous situation which, if not avoided, could result in death or serious injury.
	CAUTION Indicates an potentially hazardous situation which, if not avoided, may result in minor or moderate injury.
	CAUTION used without the safety alert symbol indicates a potentially hazardous situation which, if not avoided, will result in property damage.

IMPORTANT NOTICE

In conjunction with FMVSS (Federal Motor Vehicle Safety Standards) and OEM (Original Equipment Manufacturer) guidelines, Meyer Products has designed this plow package with the following guidelines:

	Installation of a snowplow may effect your new vehicle warranty. For more information consult your Vehicle Owner's Manual / Vehicle Dealer.
--	---

	The vehicle must not be operated when overloaded. In all cases, the loaded vehicle weight, including the entire snowplow system, all aftermarket accessories, driver, passenger, options, nominal fluid levels, and cargo must not exceed the front/rear Gross Axle Weight Rating (GAWR), and total Gross Vehicle Weight Rating (GVWR). These weights ratings are specified on the safety compliance certification label on the driver's side door opening. The use of rear ballast weight may be required to prevent exceeding the front GAWR.
--	---

According to the NHTSA (National Highway Traffic Safety Administration) new and untitled vehicles need to be verified by the installer that snowplow and ballast (if needed) do no exceed the front/rear GAWR and total GVWR.

		Read the Meyer Owner's Manual before operating or servicing a snowplow. FOLLOW THESE INSTRUCTIONS EXPLICITLY.
--	--	--

GENERAL INFORMATION

	SAFETY PRECAUTIONS should be used when Hydraulic Unit is in OPERATION and plow is in a RAISED position. Lower plow to ground when vehicle is PARKED in case of hydraulic failure.
--	---

Check contents against the parts list to determine all are correct and included, and also to familiarize yourself with them.

	Warranty does not apply to a Meyer or Diamond product which has been negligently or improperly assembled or installed.
--	--

OVERHAUL and **SERVICE INFORMATION** are covered on separate instructions.

Parts indented are included in the carton, bag or assembly under which they are indented.

Meyer Products and Diamond Equipment reserves the right, under its continuing product improvement program, to change construction or design details, specifications and prices without notice or without incurring any obligation.

Meyer Products Inc.
18513 Euclid Ave. • Cleveland, Ohio 44112-1084
Phone 486-1313 (Area Code 216)
www.meyerproducts.com • email info@meyerproducts.com



Diamond Equipment
6 Angell Lane • Damariscotta, ME 04543-4507
Phone 563-2227 (Area Code 207)
www.diamondplow.com • email info@diamondplow.com

Parts List

Item	Part No.	Qty	Description
	17148	1	E-Z Mount Xpress™ Mounting Carton
1	19316	1	• R.H. Weldment
2	19317	1	• L.H. Weldment
3	19318	1	• R.H. Side member
4	19319	1	• L.H. Side Member
	08829	1	• Hardware Bag
5	20105	6	• Bolt H 1/2-13 x 4" Gr.5
6	20166	4	• Bolt H 3/4-10 x 2-1/2" Gr. 5
7	14595	4	• 3/4" J-Bolt
8	20307	6	• Locknut Esna 1/2-13
9	20310	12	• Locknut Esna 3/4-10
10	20355	12	• Flatwasher 1/2"
11	20359	4	• Flatwasher 3/4"
12	19085	2	• Sleeve
13	22497	4	• Bolt H 3/4-10 x 2 1/4" Gr. 5 Custom
14	19170	1	• Brush Guard Lift Frame
15	07292	2	• Rubber Bumper
•	16535	1	Pivot Bar/A-Frame Carton

General Information (Continued)

CAUTION

CAUTION: To avoid harm to vehicles electrical system always disconnect battery before beginning installation.

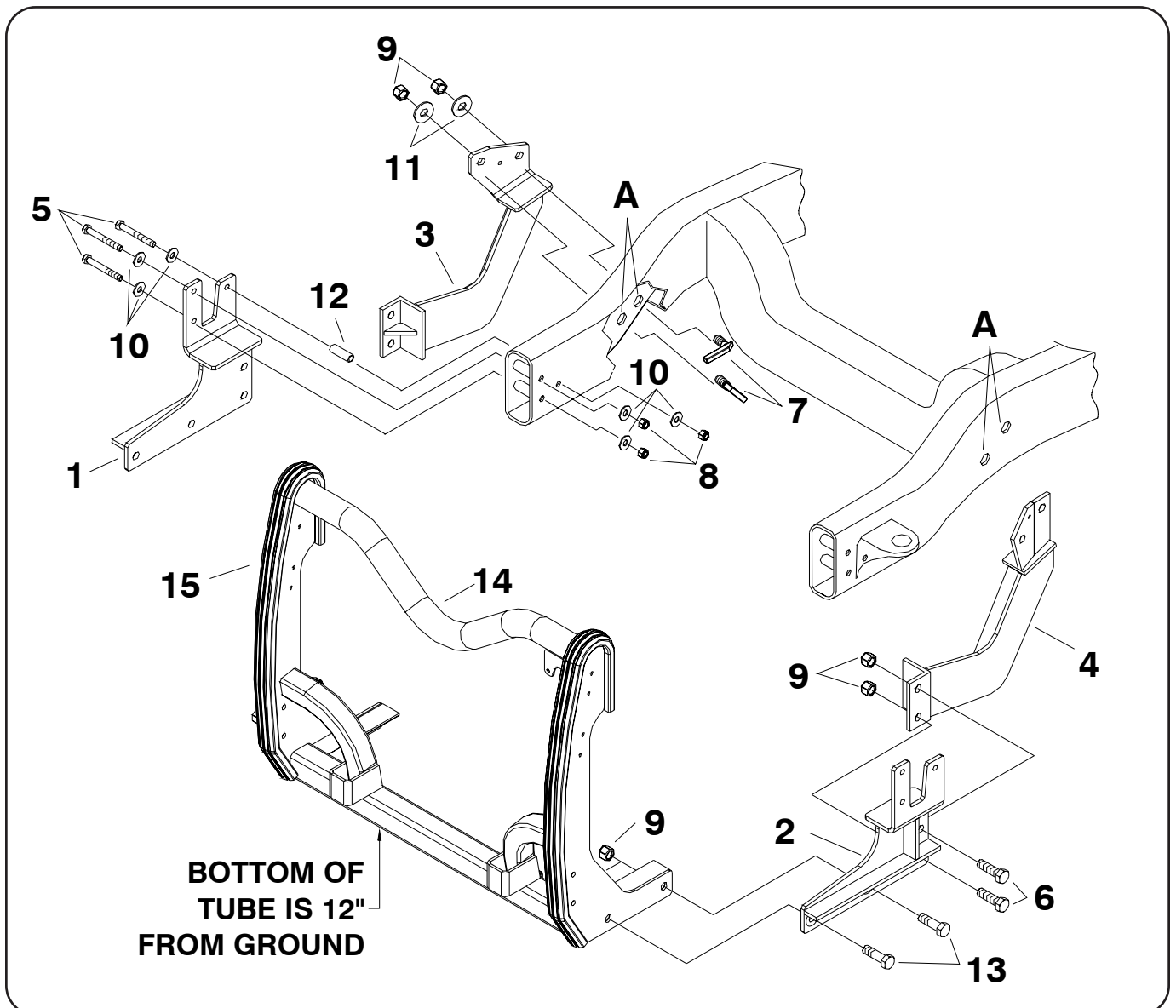
DO NOT BURN holes or **WELD** vehicle frame. This may cause frame failure.

After first use, retighten all mounting bolt connections to specified torque. All mounting bolt connections to be checked periodically for tightness.

Locknuts are furnished **DO NOT** tighten bolts and nuts until installation is complete (unless otherwise specified), then be sure to tighten all attaching parts per specified torque chart.

SUGGESTED ORDER OF NEW PLOW INSTALLATION

1. Vehicle specific mounting instruction - (Current Form)
2. Snow plow assembly - Form 1-839
3. Hydraulic/ lights / controls install - Form 1-820
4. Operation and Maintenance Manual - Form 4-611



VEHICLE RECOMMENDATIONS

⚠️ WARNING

Due to weight restrictions on vehicle's front GAWR, ballast weight may be required and must be applied 18" from the rear taigate if needed.

Rear ballast is determined by weighing a vehicle's front and rear axles and adding weight behind the rear axle until front axle weight is under or equal to the vehicle specific front GAWR while not exceeding the rear GAWR and GVWR.

Vehicle option packages may vary. If in doubt, it is always a good idea to weigh the vehicle to ensure all weight ratings are not exceeded with plow in the raised position.

Dogde recommends the vehicle be equipped with the Snow Plow Preparation Package AHD.

INSTALLATION INSTRUCTIONS

- A. Remove bumper/tow hooks assembly from vehicle frame by removing the front two bolts through the frame. Retain all hardware, it will not be reused.
- B. Attach LH & RH Weldments (1&2) to vehicle frame at bumper support holes using 1/2-13 x 4" bolts (5), flatwashers (10), and 1/2-13 locknuts (8). While pushing LH & RH Weldments (1&2) tight against the bottom of the frame, snug bolts (5). Using the rear hole of each weldment (1&2) as a template, drill a 9/16" hole all the way through the frame on both sides. Remove the LH and RH weldments.
- C. On the outside of each frame rail only, re-drill the hole to 3/4" diameter to install the sleeves (12). Attach the rear hole of the weldment (1&2) to frame using sleeve (12), 1/2-13 x 4" bolt (5), 1/2 flatwashers (10), and 1/2-13 locknut (8) on each side. Reinstall the bumper in the two front holes on each hanger using the bolts from step B. **Note: Vehicles with Tow Hooks: Outer tow hook bracket may need to be removed and slotted 1/8"-1/4" behind the bumper to allow for fit over side plates of hanger weldments or tow hooks may be removed completely. DO NOT torque bolts at this time.**






- D. Attach Brush Guard Lift Frame (14) between LH & RH Weldments (1&2) using four 3/4-10 x 2 1/4" custom bolts (13), and 3/4-10 locknuts (9) on each side.

IMPORTANT: Torque all 1/2-13 x 4" bolts (5) while holding L.H. & R.H. Weldments (1&2) against the bottom of the frame. Torque all 3/4-10 x 2 1/4" bolts (13) while holding the Brush Guard Lift Frame (14) perpendicular to the ground per torque specification chart.

- E. Attach the LH & RH Side Members (3&4) to the rear holes in LH & RH Weldments (1&2) using 3/4-10 x 2-1/2" bolts (6) and locknuts (9). Push sidemembers (3&4) up against the frame and snug bolts (6). Scribe upper hole locations on the frame on both sides. Remove LH & RH Side members (3&4). Drill a total of four 1" diameter holes "A" through the out side of the each frame rail only for installation of Special bolts(7).
- F. Carefully attach LH & RH side members (3&4) to frame using special bolts (7), flatwashers (11) and locknuts (9) per illustration. Re-attach LH & RH side members (3&4) to LH & RH Weldments (1&2) using hardware from step E.
- G. Tighten bolts to the torque specified in the chart below. Tighten in the same order in which they were assembled to the vehicle.
- H. Install remaining snowplow hardware per separate instructions.

TORQUE CHART FOOT

Bolt Nut Size	Gr. 2 	Gr. 5 	Gr. 8 
1/4 - 20	4 - 5		
5/16 - 18	9 - 11		
3/8 - 16	17 - 20	26 - 29	
7/16 - 14		42 - 46	60 - 66
1/2 - 13		64 - 72	90 - 100
5/8 - 11		127 - 141	179 - 198

Meyer Products or Diamond Equipment assumes no responsibility for installations not made in accordance with these instructions.