

PARTS & INSTALLATION INSTRUCTIONS

MEYER SNOW PLOW MOUNTING for 1981 thru 1987 GMC and Chevrolet V Series 4x4 Models

IMPORTANT NOTICE

End user must be given this instruction sheet prior to delivery of this Snow Plow.

The equipment you have just purchased should only be used on vehicles equipped with the Manufacturer's Snow Plow Preparation Packages. Snow Plowing without the original Snow Plow Preparation Package may damage your vehicle and the added weight to the equipment may impair the operation and control of the vehicle. Snow Plowing with a vehicle that the manufacturer does not recommend for that purpose may void your new vehicle warranty. If your vehicle is not originally equipped with the Snow Plow Package, additional parts may be necessary before snow plowing. Owners of these vehicles should consult their dealers before purchase or installation of such parts. CAUTION: the installation, on any vehicle, of these parts is not a full substitute for the original equipment Snow Plow Preparation Package.

Warning: Lift Arm extends beyond bumper of vehicle. To minimize damage from a front-end collision, Lift Arm should be removed from vehicle when Snow Plow is removed.

PARTS LIST

Item	Part No.	Qty.	Description		
	17091	1	MOUNTING CARTON		
1	11300	1	• Clevis Frame		
2	11295	1	• Support Frame		
3	10514	1	• Lift Arm		
4	11544	2	• Receiver Tube Cap		
	08605	1	• HARDWARE BAG		
5	11006	2	•• Hinge Pin		
6	11305	2	•• Spacer		
7	20077	2	•• Bolt H 7/16-14 x 2-1/2" Gr.5		
8	20096	8	•• Bolt H 1/2-13 x 1-3/4" Gr.5		
9	20144	1	•• Bolt H 5/8-11 x 2-3/4" Gr. 5		
10	20146	2	•• Bolt H 5/8-11 x 3-1/4" Gr. 5		
11	20306	2	•• Locknut 7/16-14		
12	20307	8	•• Locknut Esna 1/2-13		
13	20309	3	•• Locknut Esna 5/8-11		
14	20354	2	•• Flatwasher 7/16		
15	20355	4	•• Flatwasher 1/2"		
	21976	2	•• Battery Connectors		
16	21984	2	•• Hair Pin Cotter		
17	11255	1	LIFT FRAME (Tubular)		
	11" Sector		15" Sector		
Item	Part No.	Qty.	Part No.	Qty.	Description
	16505	1	16504	1	SECTOR/A-FRAME CARTON
	12326	1	12793	1	• Sector
18	13612	1	13608	1	• A- Frame
	07017	3	07017	4	• Trip Spring
	09916	1	09916	1	• Marker Kit
	08166	1	08341	1	• PLOW HARDWARE BAG
	09119	2	09119	1	•• Pivot Pin w/Cotter
19	11101	2	11101	2	•• Hinge Pin
20	22083	2	22083	2	•• Linch Pin
	09122	1	09125	1	•• King Bolt w/Locknut
	09124	3	09124	4	•• Eye Bolt w/Locknuts

Parts indented are included in the carton, bag or assembly under which they are indented. When ordering parts, furnish Part No., Name, and Description. Also furnish Vehicle Model and Year. Type of Hydraulic Unit and Moldboard Size.

Meyer Products reserves the right, under its continuing product improvement program, to change construction or design details, specifications and prices without notice or without incurring any obligation.

Meyer Products Inc.
18513 Euclid Ave. • Cleveland, Ohio 44112-1084
Phone 486-1313 (Area Code 216)
email warranty@meyerproducts.com

Diamond Equipment
6 Angell Lane • Damariscotta, ME 04543-4507
Phone 563-2227 (Area Code 207)
www.diamondplow.com • email info@diamondplow.com



GENERAL INFORMATION

CAUTION: Always disconnect battery before beginning installation.

DO NOT BURN holes or **WELD** vehicle frame. This may cause frame failure.

After first use, retighten all mounting bolt connections to specified torque. All mounting bolt connections to be checked periodically for tightness.

Locknuts are furnished **DO NOT** tighten bolts and nuts until installation is complete (unless otherwise specified), then be sure to tighten all attaching parts per specified torque chart.

NOTE: It is important that the Meyer harness, all wires from the Meyer light switch, and all other electrical wires be routed around hot or moving engine parts, and any sharp metal. Protection must be provided to guard against wire damage at these points. All excess or loose wires must be neatly secured using wire ties.

Check contents against the parts list to determine all are correct and included, and also to familiarize yourself with them.

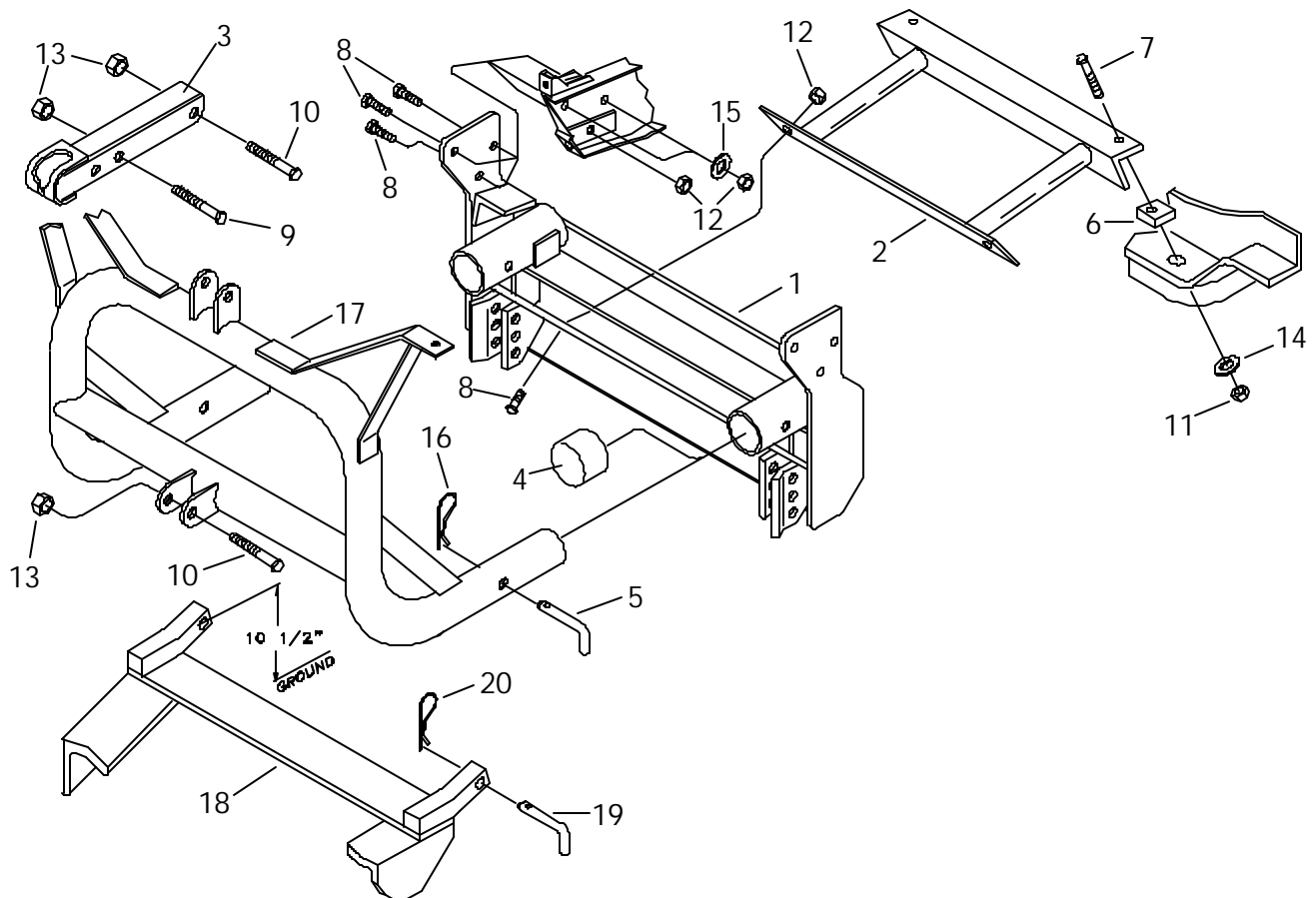
SAFETY PRECAUTIONS should be used when **Hydraulic Unit is in OPERATION** and plow is in a **RAISED** position. **Lower plow to ground when vehicle is PARKED.**

OVERHAUL and **SERVICE INFORMATION** are covered on separate instructions.

Follow these instructions explicitly. Warranty does not apply to a Meyer product which has been negligently or improperly assembled or installed.

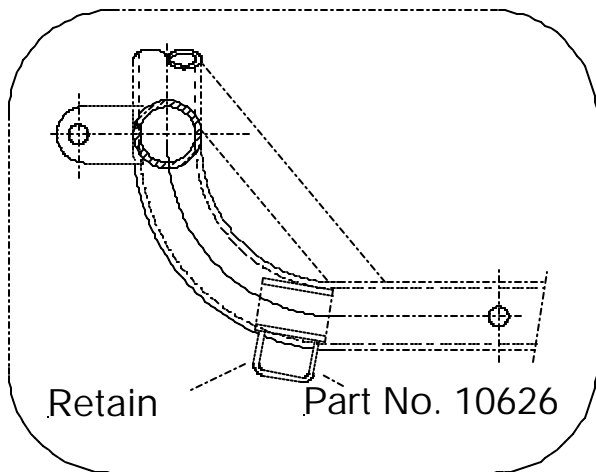
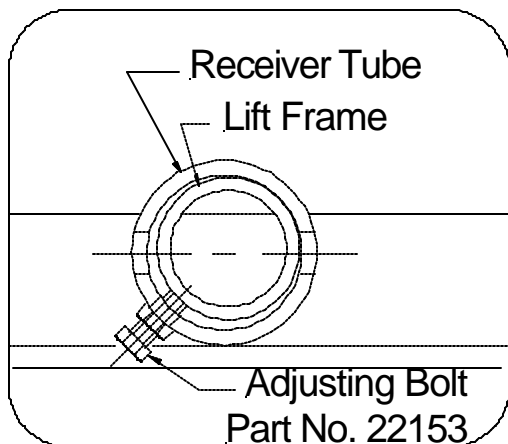
TORQUE CHART FOOT LBS.

Bolt Nut Size	Gr.		
	2	5	8
1/4 - 20	4 - 5		
5/16 - 18	9 - 11		
3/8 - 16	17 - 20		
7/16 - 14		26 - 29	
1/2 - 13		42 - 46	60 - 66
5/8 - 11		127 - 141	179 - 198
3/4 - 10		227 - 251	



INSTALLATION INSTRUCTIONS

- A. Remove tow hooks. Retain all hardware. **The tow hooks will not be reinstalled.**
- B. Remove air dam. Retain all hardware. **The air dam will not be reinstalled.**
- C. Remove bumper by first removing bolts from the outer bumper support brackets at ends of bumper, leaving the other end of bracket attached to the vehicle frame. Next remove the three (3 ea.) center bumper bracket mounting bolts on the L.H. (driver) and R.H. (passenger) side of vehicle frame. **Retain all hardware. Bolts will not be reused.**
- D. Position clevis frame (1) over the end of vehicle frame. Attach clevis frame (1) using 1/2-13 x 1-3/4" bolts (8), flatwashers(15) and locknuts (12). **Do not tighten at this time.**
- E. Remove forward bolts from sway bar brackets. **Retain bolts. They will not be reused.**
- F. Position spacers (6) at holes "A" on vehicle crossmember.



Meyer Products assumes no responsibility for installations not made in accordance with these instructions.

- G. Install clevis support brace (2) on top of spacers (6). Attach at holes "A" using 7/16-14 x 2-1/2" bolts (7), flatwashers (14) and locknuts (11).
- H. Attach clevis support brace (2) to clevis frame using 1/2-13 x 1-3/4" bolts (8) and locknuts (12)
- I. Re-install bumper.

Note: Before tightening the fasteners, the clevis frame should be pushed as far as possible under the vehicle.

- J. Tighten all fasteners to their proper torque. Tighten bolts in the same order they were assembled to vehicle.

Important Notice: Prior to installation of the lift frame (17), it will be necessary to identify the lift frame being installed. Current production lift frames have additional stops (Part No. 10626) tack welded to the existing stops. (See illustration.) Earlier production lift frames will not have these stops. Depending upon the S.A.F. Carton being installed, additional stops may need to be added or removed.

- K. When installing S.A.F. Carton 16503, 16504 lift frame should **retain** additional stops Part No. 10626).

Note: Before installing lift frame tubing to clevis frame, liberally coat ends of lift frame with chassis grease / anti-seize lubricant.

- L. Install Lift Frame (17) into the tubes on the clevis frame. Turn adjusting bolts in until contact is made with lift frame.

Caution: Do not over tighten adjustment bolts. Adjust bolts for minimum clearance between lift frame and receiver tubes while still allowing for ease of lift frame removal. See illustration. Secure lift frame (17) to clevis frame (1) using hinge Pins (6) and hair pin cotters (16).

- M. Attach lift arm (4) to lift frame (17) using 5/8-11 x 3-1/4" bolt (10) and locknut (13). Mount Hydraulic unit to lift frame using 5/8-11 x 3-1/4" bolt (10) and locknut (13), and to lift arm (4) using 5/8-11 x 2-3/4" bolt (9) and locknut (13). **(SEE WARNING)**
- N. Install hydraulic system and snow plow lights per separate instructions.
- O. Pre-Assemble Moldboard Assembly, A-Frame (18), Sector, ect., per separate instructions.
- P. Hook the A-Frame chain to the Lift Arm (4) allowing sufficient slack to enable the Moldboard to follow ground contour while plowing.

Note: When the lift frame module (17) is removed from the vehicle, the insides of the clevis frame (1) receiver tubes and outside ends of the lift frame should be coated with chassis grease/anti-seize lubricant and the protective receiver tube caps (4) install over the clevis frame receiver tubes.